

M12 Actuator/Sensor Distribution Boxes

ASBSV

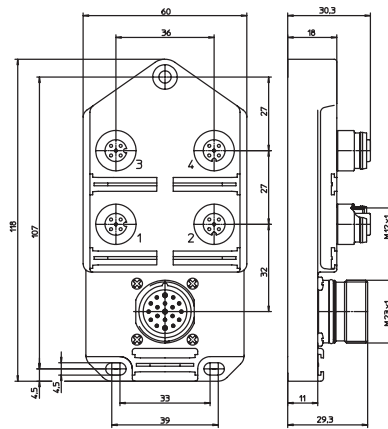


4-, 6-, and 8-Ports

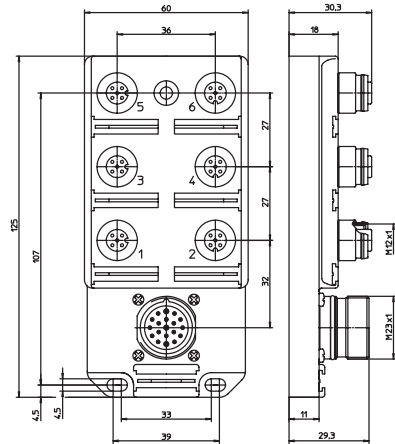
Pluggable actuator/sensor distribution box, 4-, 6-, and 8-ports, top-entry, M12 sockets, 5-poles, 2 signals per socket, with M23 quick-disconnect for the control cable.

– control cable type: 19P: RKU 19-242/...M or RKWU 19-242/...M –

4-Ports



6-Ports

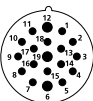


Pin Assignments

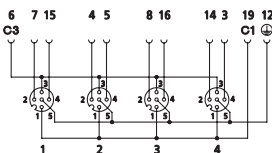
M12 / M23

Wiring Diagrams

5 P / 19 P

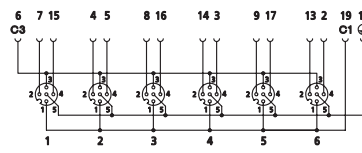


4-Ports



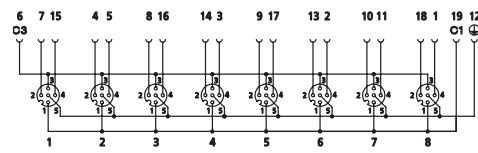
- | | | |
|-----|----|------|
| 1 = | 19 | (C1) |
| 2 = | 1 | (7) |
| | 2 | (4) |
| | 3 | (8) |
| | 4 | (14) |
| 3 = | 6 | (C3) |
| 4 = | 1 | (15) |
| | 2 | (5) |
| | 3 | (16) |
| | 4 | (3) |
| 5 = | 12 | (PE) |

6-Ports



- | | | |
|-----|----|------|
| 1 = | 19 | (C1) |
| 2 = | 1 | (7) |
| | 2 | (4) |
| | 3 | (8) |
| | 4 | (14) |
| | 5 | (9) |
| | 6 | (13) |
| 3 = | 6 | (C3) |
| 4 = | 1 | (15) |
| | 2 | (5) |
| | 3 | (16) |
| | 4 | (3) |
| | 5 | (17) |
| | 6 | (2) |
| 5 = | 12 | (PE) |

8-Ports

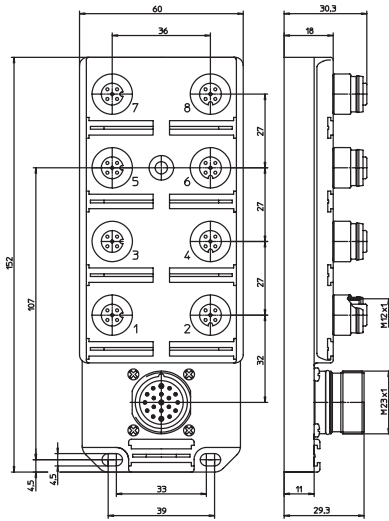


- | | | |
|-----|----|------|
| 1 = | 19 | (C1) |
| 2 = | 1 | (7) |
| | 2 | (4) |
| | 3 | (8) |
| | 4 | (14) |
| | 5 | (9) |
| | 6 | (13) |
| | 7 | (10) |
| | 8 | (18) |
| 3 = | 6 | (C3) |
| 4 = | 1 | (15) |
| | 2 | (5) |
| | 3 | (16) |
| | 4 | (3) |
| | 5 | (17) |
| | 6 | (2) |
| | 7 | (11) |
| | 8 | (1) |
| 5 = | 12 | (PE) |

Be Certain with Belden

M12 Actuator/Sensor Distribution Boxes ASBSV 4 5 | ASBSV 6 5 | ASBSV 8 5

8-Ports



Technical Data

Environmental

Degree of protection IP 67 / NEMA 6P
Operating temperature range -15°C (+5°F) / +80°C (+176°F)

Mechanical

Housing TPU, self-extinguishing
Insert PA GF, self-extinguishing
Contact CuZn, pre-nickel and 0.8 microns gold-plated
Receptacle shell CuZn, nickel-plated
O-ring FKM

Electrical

Contact resistance $\leq 5m\Omega$
Voltage rating 30 V AC/DC
Current rating 4 A per port / 10 A max. total
Insulation resistance $> 10^9 \Omega$

Accessories (included)

ZVK 2 dust covers for unused sockets
ZBS 10 attachable labels

| Part Number | Ports | Mating Control Cables | Characteristics |
|-------------|-------|-------------------------------------|-----------------|
| ASBSV 4 5 | 4 | RKU 19-242/...M or RKWU 19-242/...M | |
| ASBSV 6 5 | 6 | RKU 19-242/...M or RKWU 19-242/...M | |
| ASBSV 8 5 | 8 | RKU 19-242/...M or RKWU 19-242/...M | |