

M12 Rugged Distribution Boxes, Two Signals Per Socket, with or without LED

ASBV-R 4 5-4-256 | ASBV-R 8 5-4-242

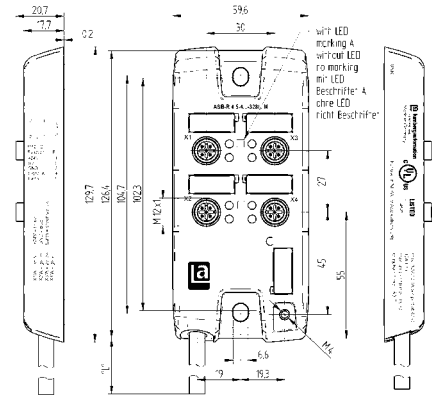
ASBV-R 4/LED 5-4-256 | ASBV-R 8/LED 5-4-242



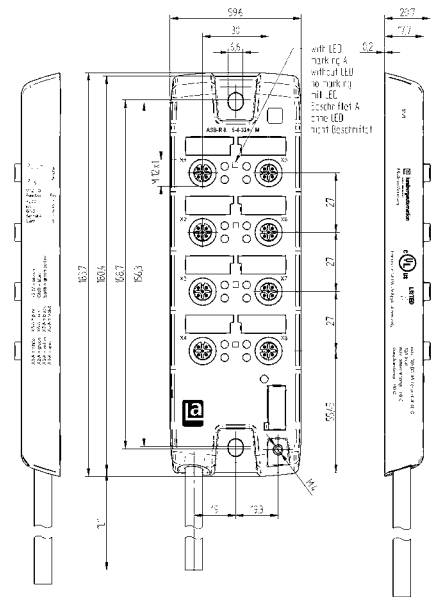
4- and 8-Ports

ASBV-R wired actuator/sensor distributor, 4 or 8 x M12 ports, 5-poles, with or without LED operating and function display, two signals per socket, ground connection, with integrated control cable, PUR jacket, halogenfree, black

4-Ports



8-Ports



Pin Assignments

M12 Wiring Diagrams



- #### 4-Ports
- 1 = brown (+)
 - 2 = grey/pink (1)
red/blue (2)
white/green (3)
brown/green (4)
 - 3 = blue (-)
 - 4 = white (1)
green (2)
yellow (3)
grey (4)
 - 5 = green/yellow (PE)



- #### 8-Ports
- 1 = brown (+)
 - 2 = grey/pink (1)
red/blue (2)
white/green (3)
brown/green (4)
white/yellow (5)
yellow/brown (6)
white/grey (7)
grey/brown (8)
 - 3 = blue (-)
 - 4 = white (1)
green (2)
yellow (3)
grey (4)
pink (5)
red (6)
black (7)
violet (8)
 - 5 = green/yellow (PE)



M12 Rugged Distribution Boxes Two Signlas Per Socket, with or without LED

Technical Data

Environmental Conditions

Degree of protection	IP65 / IP67
Pollution severity	3
Operating temperature range	-40°C / +80°C (dragchain and UL max. 60°C)

Materials

Contact	CuZn, pre-nickel and gold-plated
Contact bearer	TPU-GF
Housing	Zinc die casting
O-ring	FKM

Electrical Data

Rated voltage	30 V
Rated current*	4 A per outlet / 12 A max. total; at 40°C
Rated impulse voltage	32 V
Contact resistance	≤5mΩ
Insulation resistance	> 10 ⁹ Ω

* only in locked position with its proper counterparts or dust covers

Additional Technical Data

operation display: LED Green
 Function display / channel status:
 LED Channel A: Yellow
 LED Channel B: White

Cable Specifications

Cable No.	Outer Jacket	Conductor Size	Color	Outside Diameter
256	PUR, halogen-free	3 x 1.00 mm ² 8 x 0.50 mm ²	Black	.457" (11.6 mm)
242	PUR, halogen-free	3 x 1.00 mm ² 16 x 0.50 mm ²	Black	.453" (11.5 mm)

Part Number	Ports	Standard Cable Length	Characteristics
ASBV-R 4 5-4-256/...M	ASBV-R 4/LED 5-4-256/...M	4	5M and 10M
ASBV-R 8 5-4-242/...M	ASBV-R 8/LED 5-4-242/...M	8	5M and 10M

