

## M12 Rugged Distribution Boxes, One Signal Per Socket, with or without LED

ASB-R 4 5-4-328 | ASB-R 8 5-4-331

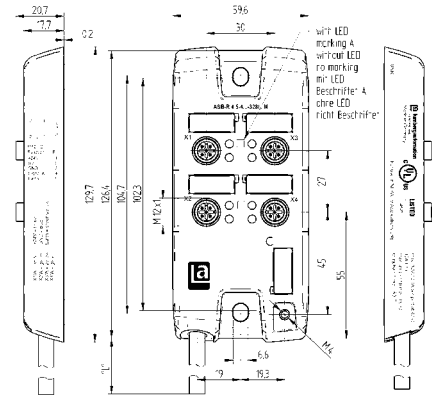
ASB-R 4/LED 5-4-328 | ASB-R 8/LED 5-4-331



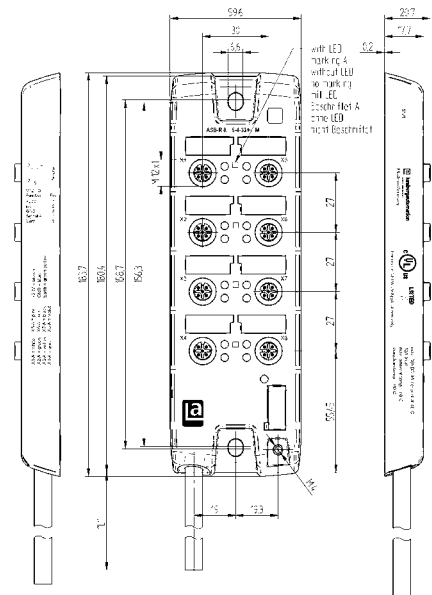
### 4- and 8-Ports

ASB-R wired actuator/sensor distributor, 4 or 8 x M12 ports, 4-poles, with or without LED operating and function display, one signal per socket, ground connection, with integrated control cable, PUR jacket, halogenfree, black

#### 4-Ports



#### 8-Ports



### Pin Assignments

#### M12 Wiring Diagrams



#### 4-Ports

- 1 = brown (+)
- 2 = n.a.
- 3 = blue (-)
- 4 = white (1)  
green (2)  
yellow (3)  
grey (4)
- 5 = green/yellow (PE)



#### 8-Ports

- 1 = brown (+)
- 2 = n.a.
- 3 = blue (-)
- 4 = white (1)  
green (2)  
yellow (3)  
grey (4)  
pink (5)  
red (6)  
black (7)  
violet (8)
- 5 = green/yellow (PE)



## M12 Rugged Distribution Boxes, One Signal Per Socket, with or without LED

### Technical Data

#### Environmental Conditions

Degree of protection	IP65 / IP67
Pollution severity	3
Operating temperature range	-40°C / +80°C (dragchain and UL max. 60°C)

#### Materials

Contact	CuZn, pre-nickel and gold-plated
Contact bearer	TPU-GF
Housing	Zinc die casting
O-ring	FKM

#### Electrical Data

Rated voltage	30 V
Rated current*	4 A per outlet / 8 A max. total; at 40°C
Rated impulse voltage	32 V
Contact resistance	≤5mΩ
Insulation resistance	> 10 <sup>9</sup> Ω



\* only in locked position with its proper counterparts or dust covers

#### Additional Technical Data

operation display: LED Green  
 Function display / channel status:  
 LED Channel A: Yellow  
 LED Channel B: White

### Cable Specifications

Cable No.	Outer Jacket	Conductor Size	Color	Outside Diameter
328	PUR, halogen-free	3 x 0.75 mm <sup>2</sup> 4 x 0.34 mm <sup>2</sup>	Black	.268" (6.8 mm)
331	PUR, halogen-free	3 x 0.75 mm <sup>2</sup> 8 x 0.34 mm <sup>2</sup>	Black	.315" (8.0 mm)

Part Number	Ports	Standard Cable Length	Characteristics
ASB-R 4 5-4-328/...M	4	5M and 10M	     
ASB-R 8 5-4-331/...M	8	5M and 10M	     