

## M12 Actuator/Sensor Distribution Boxes

ASBS.../LED

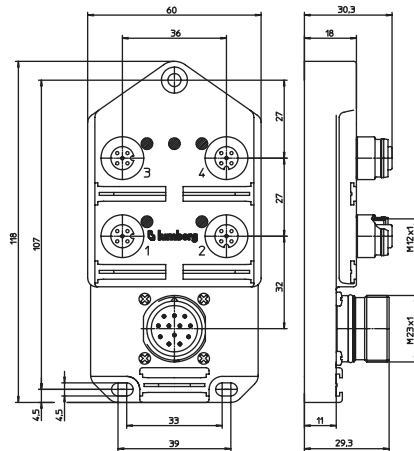


### 4-, 6- and 8-Ports (LED)

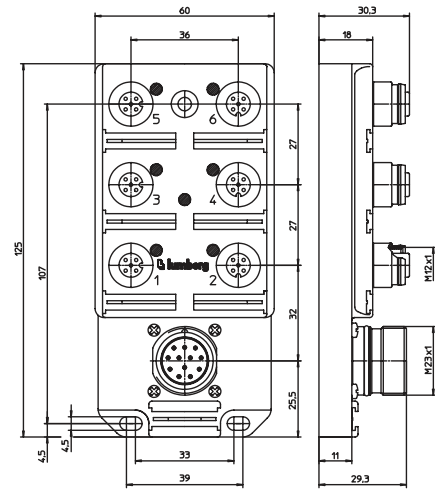
Pluggable actuator/sensor distribution box with LED operation and function indicators, 4-, 6-, and 8-ports, top-entry, M12 sockets, 4-poles, 1 signals per socket, with M23 quick-disconnect for the control cable.

– control cable type: 12P: RKU 12-256/...M or RKWU 12-256/...M –

#### 4-Ports



#### 6-Ports



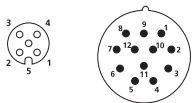
## Pin Assignments

M12 / M23

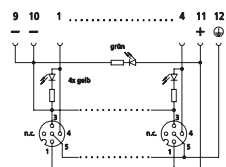
### Wiring Diagrams

5 P

12 P

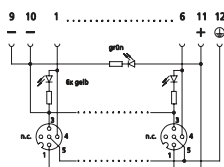


#### 4-Ports



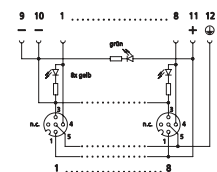
1 = 11 (+)  
2 = n.c.  
3 = 9 (-)  
4 = 1 (1)  
2 (2)  
3 (3)  
4 (4)  
5 (5)  
6 (6)  
5 = 12 (PE)

#### 6-Ports



1 = 11 (+)  
2 = n.c.  
3 = 9 (-)  
4 = 1 (1)  
2 (2)  
3 (3)  
4 (4)  
5 (5)  
6 (6)  
5 = 12 (PE)

#### 8-Ports



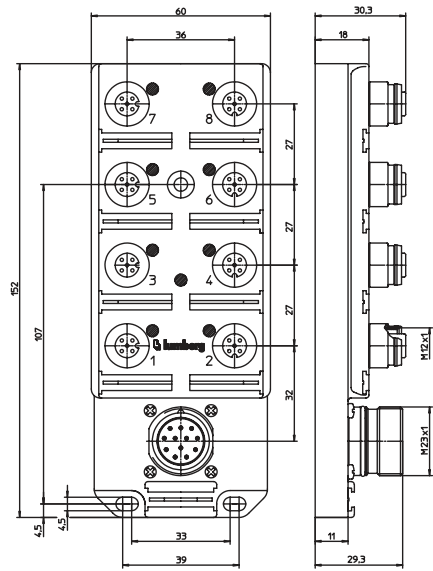
1 = 11 (+)  
2 = n.c.  
3 = 9 (-)  
4 = 1 (1)  
2 (2)  
3 (3)  
4 (4)  
5 (5)  
6 (6)  
7 (7)  
8 (8)  
5 = 12 (PE)



Be Certain with Belden

**M12 Actuator/Sensor Distribution Boxes**  
 ASBS 4 5-4/LED | ASBS 6 5-4/LED | ASBS 8 5-4/LED

**8-Ports**



**Technical Data**

**Environmental**

Degree of protection IP 67 / NEMA 6P  
 Operating temperature range -15°C (+5°F) / +80°C (+176°F)

**Mechanical**

Housing TPU, self-extinguishing  
 Insert PA GF, self-extinguishing  
 Contact CuZn, pre-nickel and 0.8 microns gold-plated  
 Receptacle shell CuZn, nickel-plated  
 O-ring FKM

**Electrical**

Contact resistance ≤5mΩ  
 Voltage rating 10-30 V DC  
 Current rating 4 A per port / 12 A max. total  
 Insulation resistance > 10<sup>9</sup> Ω

**Accessories (included)**

ZVK 2 dust covers for unused sockets  
 ZBS 10 attachable labels

Part Number	Ports	Mating Control Cables	Characteristics
ASBS 4/LED 5-4	4	RKU 12-256/...M or RKWU 12-256/...M	
ASBS 6/LED 5-4	6	RKU 12-256/...M or RKWU 12-256/...M	
ASBS 8/LED 5-4	8	RKU 12-256/...M or RKWU 12-256/...M	

Distribution Boxes