

M12 Actuator/Sensor Distribution Boxes

ASB 4/LED - RS120M | ASB 8/LED - RS120M

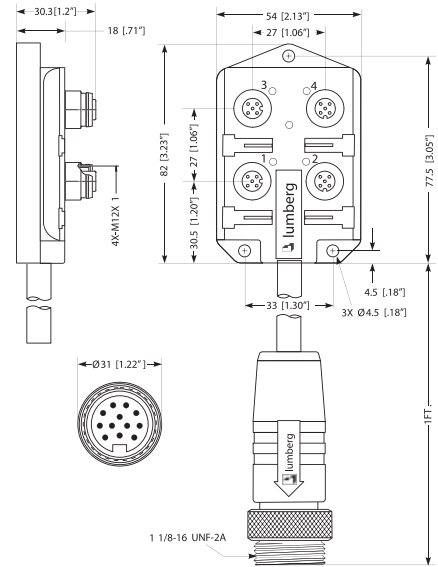


4- and 8-Ports (LED)

Actuator/sensor distribution box with LED operation and function indicators, top-entry, 4- and 8-ports, M12 sockets, 4-poles, 1 signal per socket, with integrated Mini quick disconnect home run control cable.

– control cable is suitable for c-track applications –

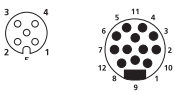
4-Ports



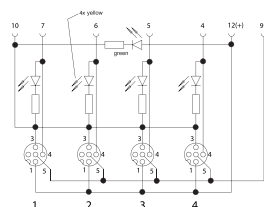
Pin Assignments

M12 / Mini 1 1/8"

Wiring Diagrams

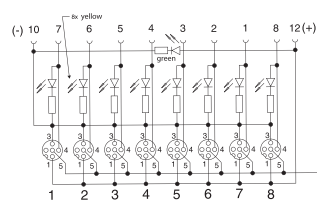


4-Ports



1 =	12	(+)
3 =	10	(-)
4 =	1	(7)
	2	(6)
	3	(5)
	4	(4)
5 =	9	(gnd)

8-Ports



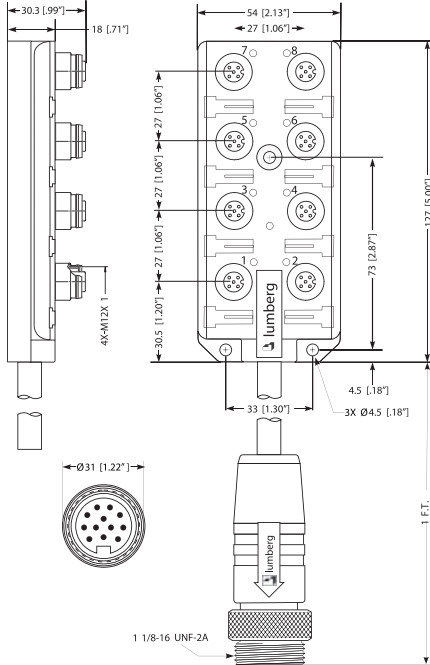
1 =	12	(+)
3 =	10	(-)
4 =	1	(7)
	2	(6)
	3	(5)
	4	(4)
	5	(3)
	6	(2)
	7	(1)
	8	(8)
5 =	9	(gnd)



Be Certain with Belden

M12 Actuator/Sensor Distribution Boxes ASB 4/LED 5-4-328/RS120M | ASB/LED 8 5-4-331/RS120M

8-Ports



Technical Data

Environmental

Degree of protection
Operating temperature range

IP 67 / NEMA 6P
-15°C (+5°F) / +80°C (+176°F)

Mechanical

Housing
Insert
Contact
Receptacle shell
O-ring

PUR, yellow
Nylon
CuZn, gold plated
CuZn, nickel-plated
FKM

Mini Quick Disconnect

Molded body
Insert
Contact
Coupling nut

PUR, yellow
PUR, yellow
CuZn, gold plated
Aluminum, black anodized

Electrical

Contact resistance
Voltage rating
Current rating
Insulation resistance

≤5mΩ
10-30 V DC
4 A per port / 12 A max. total
> 10⁹ Ω

Accessories (included)

ZVK
ZBS

2 dust covers for unused sockets
10 attachable labels

Cable Specifications

Cable No.	Outer Jacket	Conductor Size	Color	Outside Diameter
328	PUR, halogen-free	3 x 0.75 mm ² 4 x 0.34 mm ²	Black	.268" (6.8 mm)
331	PUR, halogen-free	3 x 0.75 mm ² 8 x 0.34 mm ²	Black	.315" (8.0 mm)

Part Number	Ports	Cable Length	Characteristics
ASB 4/LED 5-4-328/RS120M	4	1F	
ASB 8/LED 5-4-331/RS120M	8	1F	