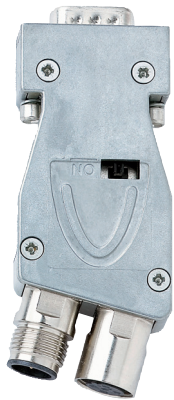




## D-SUB / M12 Connectors for Profibus

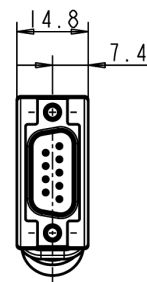
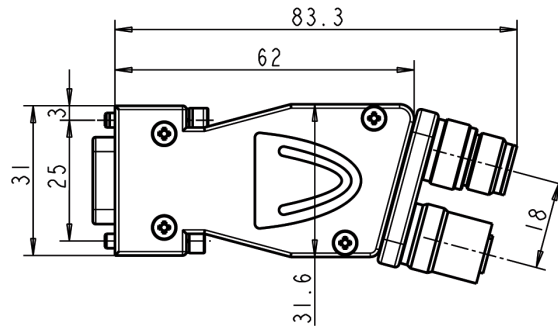
0976 PMC 515



### 9-Pole (D-Sub) 180° Compact Version

Profibus connector, 180° compact version, M12 B-coding, male and female quick connector, full metal body, with external switch for bus termination.

0976 PMC 515





Be Certain with Belden

**D-SUB / M12 Connectors for Profibus**

0976 PMC 515

**Technical Data**

**Data Rate** 12 MBit/s

**Environmental**  
 Degree of protection IP 30  
 Operating temperature range -20°C (-4°F) / +70°C (+158°F)  
 Permissible humidity Max 75% at +25°C, non-condensing

**Mechanical**  
 Housing / Molded body Zn alloy  
 D-Sub locking screw UNC 4-40  
 Connector and pin layout acc. to PROFIBUS specification  
 Dimensions in mm 84.8 x 35.6 x 16.8  
 Mechanical Lifetime 200 Mating cycles

**Interfaces**  
 PROFIBUS DP D-Sub 9 poles male  
 PROFIBUS cable M12 B-code male and female,  
 Pin 1 = +5V  
 Pin 2 = Line A  
 Pin 3 = GND (0V)  
 Pin 4 = Line B

**Shielded Profibus M12-Cable** B-Code: only Pin 2 and 4 connected, shield transfer only via shell (e.g. 0975 254 10x/... M)

**Bus Termination** Bus termination resistors activated via external switch or via external terminator on Bus-Out-Connector (e.g. 0979 PTX 101)

Part Number	Pins D-Sub	Pins M12
0976 PMC 515	9	5 B