

M12 Actuator/Sensor Distribution Boxes

ASBV...LED

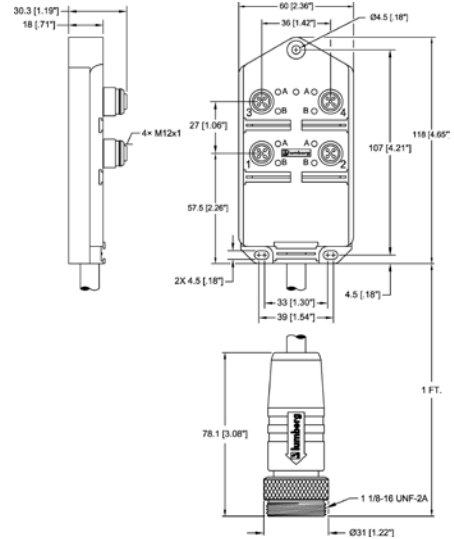


4- and 8-Ports (LED)

Pluggable actuator/sensor distribution box with LED operation and function indicators, 4- and 8-ports, top-entry, M12 sockets, 5-poles, 2 signals per socket, with integrated Mini quick-disconnect control cable.

– control cable is suitable for c-track applications –

4-Ports



Pin Assignments

M12 / Mini 1 1/8"

Wiring Diagrams

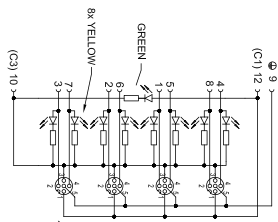
5 P

12 P

19 P

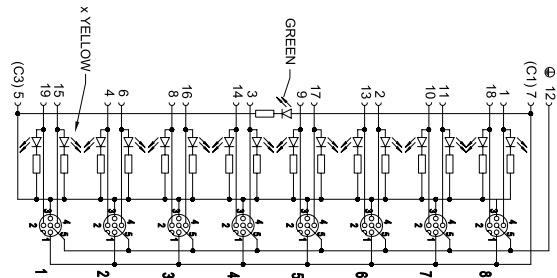


4-Ports



1 = brown	(C1)	12
2 = grey/pink	(1)	3
red/blue	(2)	2
white/green	(3)	1
brown/green	(4)	8
3 = blue	(C3)	10
4 = white	(1)	7
green	(2)	6
yellow	(3)	5
grey	(4)	4
5 = yellow/green	(gnd)	9

8-Ports



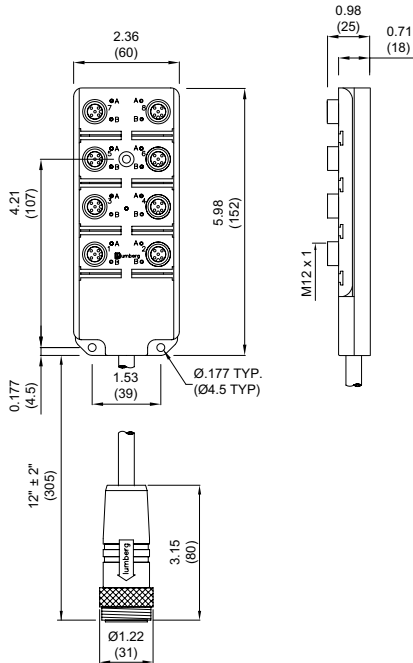
M12 Port	Wire Color	(C1)	MINI Plug		
1 =	brown	(C1)	7 ±	green	(2) 6
2 =	grey/pink	(1)	19	yellow	(3) 16
	red/blue	(2)	4	grey(4)	3
	white/green	(3)	8	pink(5)	17
	brown/green	(4)	14	red (6)	2
	white/yellow	(5)	9	black	(7) 11
	yellow/brown	(6)	13	violete	(8) 1
	white/grey	(7)	10	5 = yellow/green	(gnd) 12 ±
	grey/brown	(8)	18		
3 =	blue	(C3)	5 ±		
4 =	white	(1)	15		



M12 Actuator/Sensor Distribution Boxes

ASBV 4/LED 5-256/RS120M | ASBV 8/LED 5-242/RS190M

8-Ports



Technical Data

Environmental

Degree of protection IP 68 / NEMA 6P
 Operating temperature range -15°C (+5°F) / +90°C (+194°F)

Mechanical

Housing PUR, yellow
 Insert PUR
 Contact CuZn, gold over nickel plating
 Receptacle shell CuZn, nickel-plated
 O-ring Viton

Mini Quick Disconnect

Molded body PUR, yellow
 Insert PUR
 Contact CuZn, gold over nickel plating
 Coupling nut Aluminum, black anodized

Electrical

Voltage rating 10-30 V DC
 Current rating 4 A per port / 12 A max. total

Accessories (included)

ZVK 2 dust covers for unused sockets
 ZBS 10 attachable labels

Cable Specifications

Cable No.	Outer Jacket	Conductor Size	Color	Outside Diameter
256	PUR	3 x 1.75 mm ² 8 x 0.50 mm ²	Black	.366" (9.3 mm)
242	PUR, Hi-Flex	3 x 18 AWG 16 x 20 AWG	Black	.457" (11.6 mm)

Part Number	Ports	Standard Cable Length	Characteristics
ASBV 4/LED 5-256/RS120M	4	1F	
ASBV 8/LED 5-242/RS190M	8	1F	